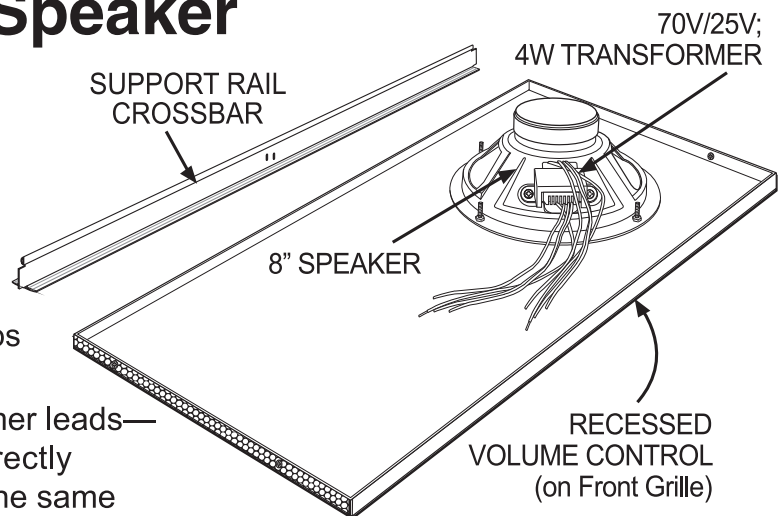


Model CSD1X2NBVR Drop-In Ceiling Speaker

BOGEN®

**70V & 25V
Speaker Systems**



Electrical Connection

1. Select appropriate transformer wire leads for required power taps (see Table 1).
2. Connect feed wires to transformer leads—to ensure all speakers are correctly phased, be certain to connect the same color transformer lead to the same polarity amp feed wire for all speakers within the system.
3. Secure all connections using wire nuts included.
4. Cut-off exposed wire on unused leads.
5. Speaker volume can be attenuated via front panel recessed volume control.

Ceiling Installation

1. For 2ft. X 4ft. tile space, cut ceiling tile to 35-1/2" long.
For 2ft. X 2ft. tile space, cut to 11-1/2" long.
2. Place speaker in ceiling opening.
3. Slide Tile Support Rail under speaker edge beside opening.
4. Drop in the tile.

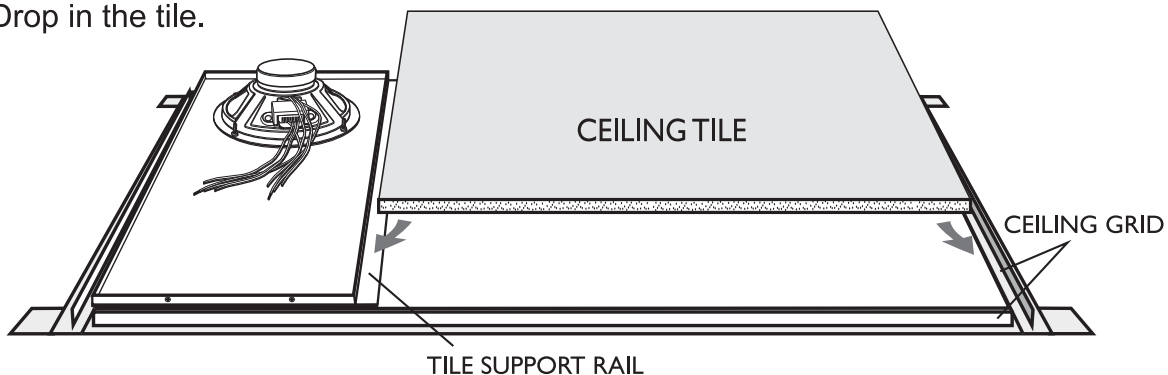


Table 1

		70V	25V	
○	BROWN	○	—	4W
○	RED	○	—	2W
○	ORANGE	○	—	1W
○	YELLOW	○	—	4W 1/2W
○	GREEN	○	—	2W 1/4W
○	BLUE	○	—	1W 1/8W
○	VIOLET	○	—	1/2W —
○	GREY	○	—	1/4W —
○	WHITE	○	—	1/8W —
○	BLACK	○	—	COMMON

2-YEAR WARRANTY

The CSD1X2NBVR is warranted to be free from defects in material or workmanship for two (2) years from the date of sale to the original purchaser. This warranty does not extend to any of our products that have been subjected to abuse, misuse, improper storage, neglect, accident, improper installation or have been modified or repaired or altered in any manner whatsoever, or where the serial number or date code has been removed or defaced.

BOGEN®
COMMUNICATIONS, INC.

50 Spring Street, Ramsey, NJ 07446, U.S.A.
Tel. 201-934-8500 • Fax: 201-934-9832, www.bogen.com
Specifications subject to change without notice
© 2004 Bogen Communications, Inc.
53-2070-03A 0704 Made In China