

AE-2s2

WIDE-ANGLE LOUDSPEAKER SYSTEM

DESCRIPTION:

The AE-2s2 is a wide-angle, two-way, single-amped system designed for extended horizontal dispersion and high fidelity response. The unique shape of the enclosure produces the wide coverage angle (165°) while minimizing sight-line obstructions.



DRIVER COMPLEMENT:

LOW FREQUENCY: Dual Apogee 8" (204mm) permanent magnet cone-type drivers are treated with a waterproofing compound, providing resistance to moisture, and enabling long-term stability of cone resonance and cone mass parameters

HIGH FREQUENCY: Dual Apogee 1" (25mm) horn-loaded compression drivers

INPUT CONNECTORS:

Neutrik™ NL4MP Speakon™ connectors standard; Cannon EP series and gas-tight barrier strips optional

COMPATIBLE PROCESSORS:

DLC24 Digital Controller

GRILLE:

Powder-coated, diamond-punched steel with acoustic foam covering

TRIM:

Optional protective steel trim on ends; powder-coated for durability

RIGGING HARDWARE:

Two 12-gauge steel nutplates, mounted one on either end, recessed, nominally flush; accepts 3/8"-16 thread, (10mm nutplate optional); nutplates are backed with 12-gauge steel internal brackets

FINISH:

Textured high-strength black epoxy paint; other colors optional

ENCLOSURE TYPE:

Compound angular trapezoidal, optimally-vented bass

CABINET CONSTRUCTION:

Multi-ply birch with stainless steel fasteners

ENGINEERING DATA:

FORMAT:

Single-amped/Two-way/Electronically-coupled

DISPERSION:

H: 165° x V: 45°

FREQUENCY RESPONSE (1M ON AXIS):

63 Hz to 19 kHz ± 3 dB

MAX. SPL (@1M):

117 dB cont./123 dB peak

PTML (PEAK TRANSIENT MECHANICAL LIMIT):

131 dB

SENSITIVITY (1W @ 1M):

97.4 dB/200 Hz to 4 kHz

NOMINAL IMPEDANCE:

16 ohms

MAX POWER HANDLING:

240W cont./960W peak

DIMENSIONS:

front: 32" (813mm) W x 9.9" (252mm) H

rear: 32" (813mm) W x 8.5" (216mm) H

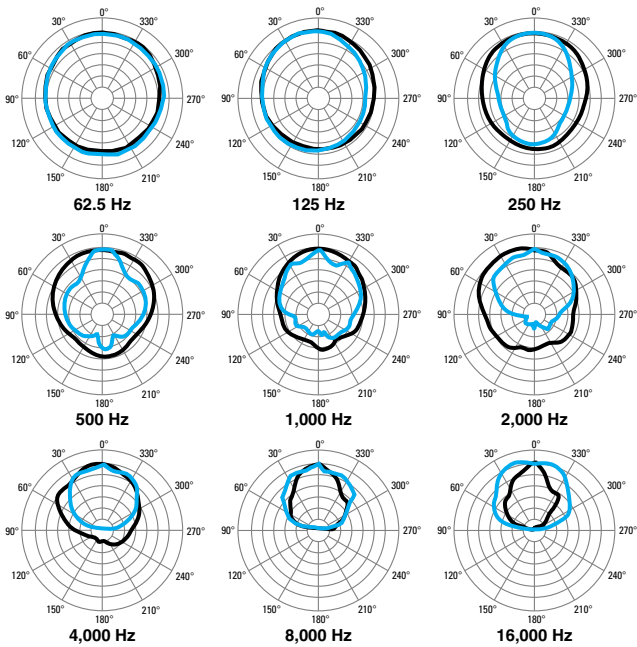
depth: 10" (254mm)

WEIGHT:

38 lb. (17.3 kg)

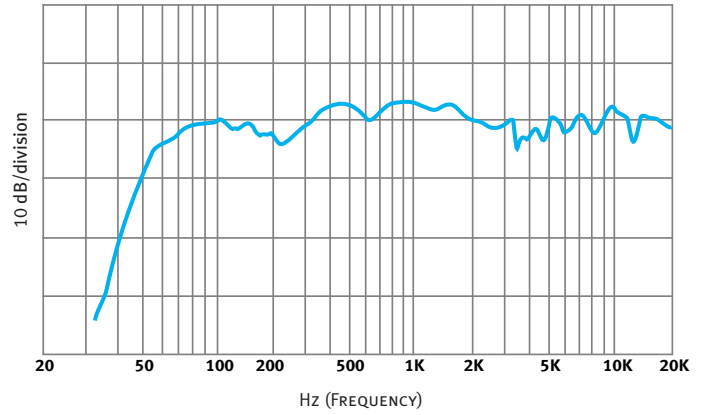
APOGEE
SOUND INTERNATIONAL, LLC

POLAR MEASUREMENTS AE-2S2 (6 dB/division, normalized)



HORIZONTAL ——— All polar measurements obtained in a free-field environment at 10° increments.
VERTICAL ———

FREQUENCY RESPONSE AE-2S2 (with controller)



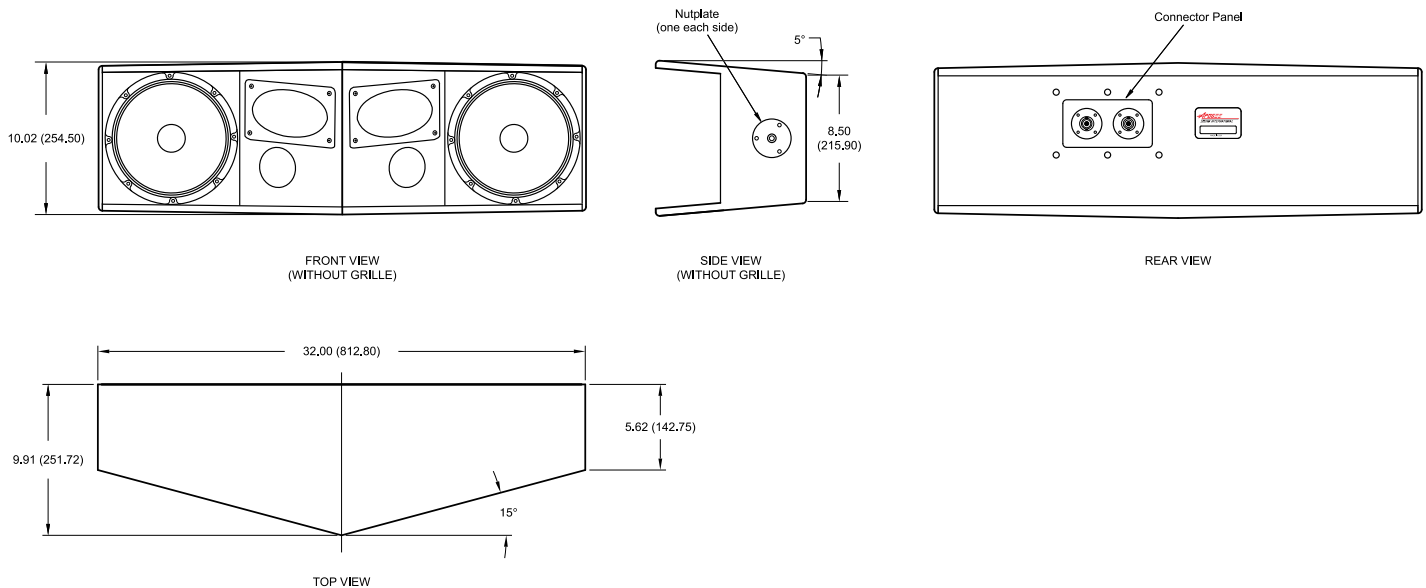
Measured in a free-field anechoic environment using a swept one-third octave input.

PROCESSOR NOTES:

The DLC24 Digital Loudspeaker Controller is a digital engine with an analog surface. It combines the most advanced technology available with intuitive interfaces to provide the key elements that ensure optimal loudspeaker system performance and management in a variety of live sound and fixed installation applications.

The controller provides factory-set equalization curves to smooth the response, protective limiting, and active crossovers (for bi-amplified models and subwoofers).

DIMENSIONAL DRAWINGS AE-2S2 (dimensions in inches and millimeters)



APOGEE
 SOUND INTERNATIONAL, LLC
 www.apogee-sound.com